

---

**AC-GPS\_Mouse-330**

---

**GPS receiver**

---



\* The red LED is an indicator of GPS positioning status. In continuous power mode, it flashes when the GPS signal is valid. Otherwise it is off.

---

**Key Features:**

---

- GPS receiver and antenna in a single housing. The GPS mouse will track up to 16 satellites at a time.
- Incoming GPS- data can be displayed on-line in the 2D software *WinIt*.

**Characteristics**

- Easy handling. Direct connection to the logger (Plug & Play)
- No external power supply necessary.
- LED indicator for GPS signal
- An integrated magnet allows simple assembly of all magnetic surfaces
- Low power consumption
- Compact and light weight housing
- Water-/ vibration proof
- In combination with 2D logger automatic lap time calculation for more than 200 racetracks

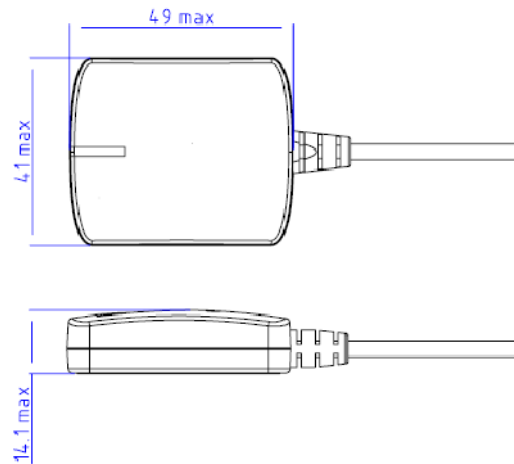
## AC-GPS\_Mouse-330

## GPS receiver

### Technical specifications

<b>Electrical characteristics</b>		<b>Mechanical characteristics</b>	
Powered by connected logger Easy interfacing (Plug & Play)		Dimensions	mm <sup>3</sup> 49x41x14.1
		Weight (with cable)	g 81
		Housing material	PVC
		Cable	
<b>Environmental data</b>		Type	PUR
Operating temperature	°C -30 to 85	Wire cross section	4x AWG28
Storage temperature (range)	°C -40 to 85	Length	mm 500
Storage temperature (typical)	°C 25		
Humidity	% 5 to 95		
Sealing class	IP67 (waterproof)		
<b>Connections</b>		<b>Ordering information</b>	
Connector type	Binder 712, 4PM	Art.No. AC-GPS_Mouse-330	

### Dimensions

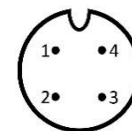


### Connector layout

### Connector type

#### Binder 712, 4PM

Pin	Name	Description	Color
1	Data +	Data line +	green
2	Data -	Data line -	white
3	GND	Ground	black
4	Power	Power input	red



Front view