

AC-GPS_Mouse_uC09-000

GPS receiver for LG-uCAN09

Function

- GPS receiver and antenna in a single housing. The GPS mouse will track up to 16 satellites at a time.
- Incoming GPS- data can be displayed on-line in the 2D software Wintl.

Characteristics

- Easy handling. Direct connection to the logger (Plug & Play)
- No external power supply necessary.
- LED indicator for GPS fix
- An integrated magnet allows simple assembly of all magnetic surfaces
- Low power consumption
- Compact and light weight housing
- Water-/ vibration proof
- In combination with 2D Logger automatic laptime calculation for more than 200 racetracks



* The red LED is an indicator of GPS positioning status. In continuous power mode, it flashes when the position is fixed. Otherwise it is off.

Technical specifications

Electrical characteristics

Powered by connected logger

Easy interfacing (Plug&Play)..

Connections

Connector type..... Binder 712, 4PM

→ refer 2nd page for details

Mechanical characteristics

Dimensions..... 49 x 41 x 14.1 mm³

Weight (with cable)..... 81 g

Housing material..... PVC

Cable.....
 type..... PUR
 wire cross section.... 4 x AWG28
 length..... 1950 mm

Environmental

Operating temperature..... -30 to 85 °C

Storage temperature (range).. -40 to 85 °C

Storage temperature (typical). 25 °C

Humidity..... 5 to 95 %

Sealing class..... IP67 (waterproof)

In combination with a LG-uCAN08 a firmware update of the logger is necessary!!!

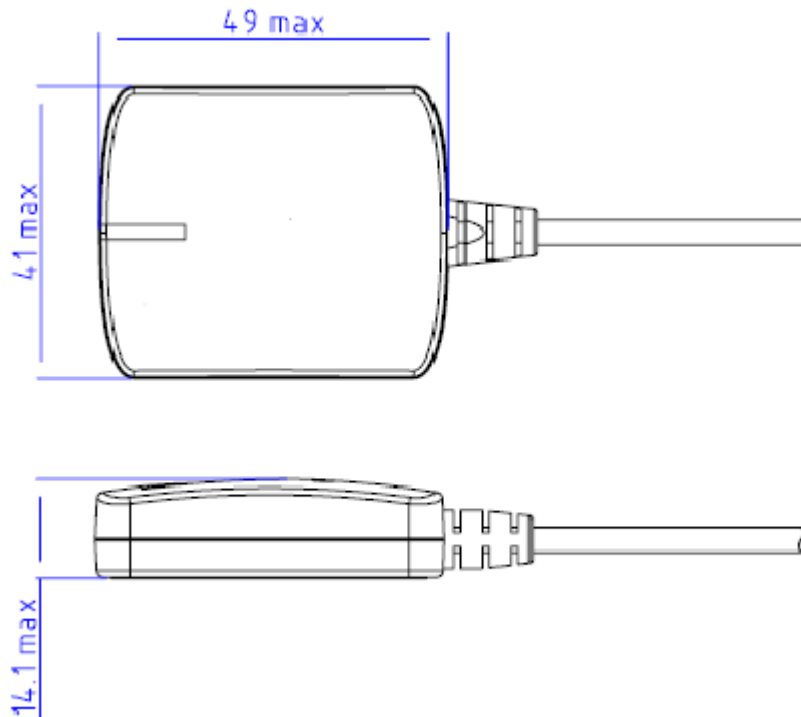
Ordering information

Art.No..... AC-GPS_Mouse_uC09-000

AC-GPS_Mouse_uC09-000

GPS receiver for LG-uC09

Dimensions



Connector layout

Data Input/Output Binder 712, 4pin	Pin	Description	Color
	1	Data	green
	2	Data	white
	3	Ground	black
	4	Power input	red

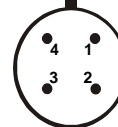
Connector type

Plug at module



Binder 719, 4 PM
(front side)

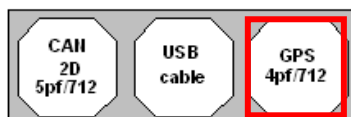
Mating plug



Binder 712, 4 PF
(front side)

Connection reference

Logger (LG-uCAN09_xxx) back view



→ Connect with right socket