

LG-CANStickGPS2C-330

USB Stick CAN Memory



Key Features:

- Stores CAN Bus data directly to USB Stick
- Supports Hot swap!
- Developed for ultimate Data access speed
- GPS input**

** 12 Hz GPS mouse optional available

Technical specifications

CAN characteristics		Mechanical characteristics	
CAN channels (fixed)	39	Aluminum housing	
CAN Lines	2	Dimensions	mm 70x 40x 13
CAN powered	yes	Weight	g 90
Baud rate	Fixed	Cable CAN line	
Sampling rate CAN channels	Fixed	Wire cross section	10 x AWG26
Storage characteristics		Type	Raychem DR25
Max USB Stick size	GB 32	Length	mm 250
format	FAT32	Connector type CAN-1 (EXT)	Binder 712, 5PM
Max block size	GB 2	Connector type CAN-2 (2D)	Binder 712, 5PF
Environmental data		Cable USB line	
Ambient operating range	°C -20 to +60	Length	mm 500
Protection class	IP67	Connector type	USB Typ A, socket
Humidity	% 5 to 95	Connection GPS/serial	
Operational status indicator		Connector type	Binder 712, 4PF
LED blue blinking		Electrical characteristics	
		Supply voltage	V 8 - 14
		Current consumption w/o. GPS	mA <140
		Current consumption with GPS	mA <180

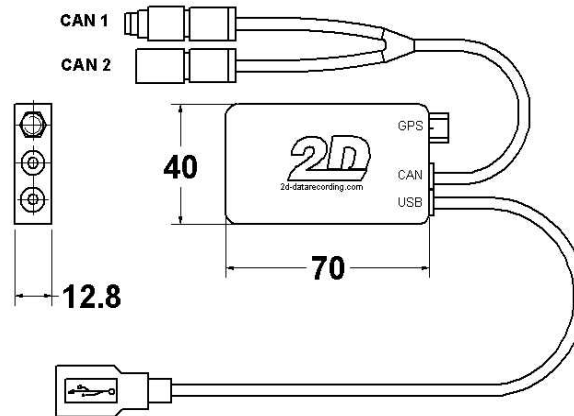
Ordering information

Art.No. LG-CANStickGPS2C-330

LG-CANStickGPS2C-330

USB Stick CAN Memory

Dimensions

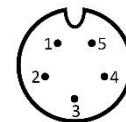


Connector layout

Connector type

CAN-1 line, Binder 712 5PM

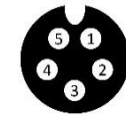
Pin	Name	Description	Color
1	CAN Hi	CAN High	White
2	CAN Lo	CAN Low	Green
3	GND	Ground	Black
4	KL15	Switched power	Blue
5	Vext	Power supply 8- 14V	Red



Front view

CAN-2 line, Binder 712 5PF

Pin	Name	Description	Color
1	CAN Hi	CAN High	White
2	CAN Lo	CAN Low	Green
3	GND	Ground	Black
4	n.c.	Not connected	
5	Vext	Power supply 8- 14V	Red



Front view

USB, Type A socket

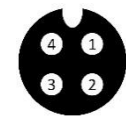
Pin	Name	Description	Color
1	VCC	Power supply +5V	Red
2	GND	Ground	Black
3	Data +	Data line +	Green
4	Data -	Data line -	White



Front view

GPS/Serial, Binder 712, 4PF

Pin	Name	Description	Color
1	Data	Data line	White
2	Data	Data line	Green
3	GND	Ground	Black
4	VCC	Power supply +5V	Red



Front view