

WB-CANHUB-000

4 Port CAN Hub



Key Features

- Compact 4 Port CAN Hub
- Rugged - IP67

Options:

- All connector and cable length can be modified on customer request
- CAN terminator can be modified on customer request

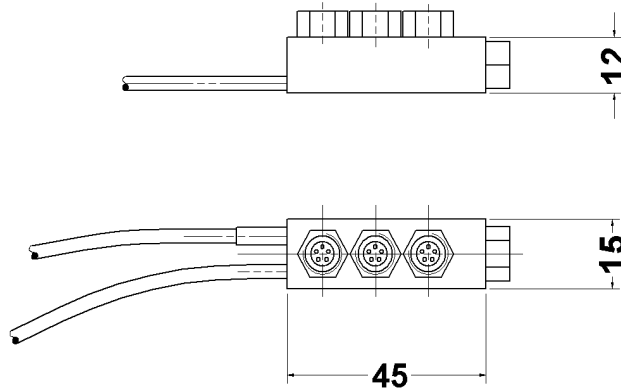
See CAN Hub Configurator Page

Technical specifications

Electrical characteristics		Mechanical characteristics	
CAN Ports	4	Housing material	Aluminum
Voltage supply	V 8 to 18	Weight (cable included)	g 67
Environmental data		Dimensions	mm 45x15x12
Protection class	IP 67	CAN line	Binder 712, 5PF
Ambient operating range	°C 0 to +75	Cable length	mm 1500
Humidity	% 5 to 95	CAN Display Connector	Binder 712, 8PF
			Built in
		CAN Connector	3x Binder 712, 5PF
			Built in
		Power line	AMP SuperSeal, 2PM
		Cable length	mm 300
		Vibration resistance	
		Shock	G 40
		During time period of	ms 10
		Vibration tested at	G 12
		Measured with	Hz 1000
		Ordering information	
		Art. No. WB-CANHUB-000	

The specifications on this document are subject to change at 2D decision. 2D assumes no responsibility for any claims or damages arising out of the use of this document, or from the use of modules based on this document, including but not limited to claims or damages based on infringement of patents, copyrights or other intellectual property rights.

Dimensions

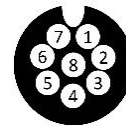


Connector layout

Connector type

CAN Display, Binder 712, 8PF

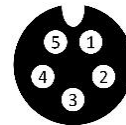
Pin	Name	Description	Color
1	n.c.	Not connected	-
2	GND	Ground	black
3	n.c.	Not connected	-
4	+12V	+12V power supply	red
5	CAN H	CAN High	white
6	CAN L	CAN Low	green
7	n.c.	Not connected	-
8	n.c.	Not connected	-



front view

CAN, Binder 712, 5PF

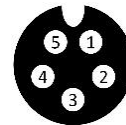
Pin	Name	Description	Color
1	CAN H	CAN high	white
2	CAN L	CAN low	green
3	GND	Ground	black
4	n.c.	Not connected	-
5	Vext	Power (8-18V)	red



front view

CAN line, Binder 712, 5PF

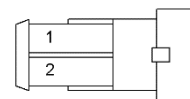
Pin	Name	Description	Color
1	CAN H	CAN high	white
2	CAN L	CAN low	green
3	GND	Ground	black
4	n.c.	Not connected	-
5	Vext	Power (8-18V)	red



front view

Power, AMP Super Seal, 2PM

Pin	Name	Description	Color
1	12 V	12 V power supply	red
2	GND	Ground	black



top view

CAN Hub Configurator

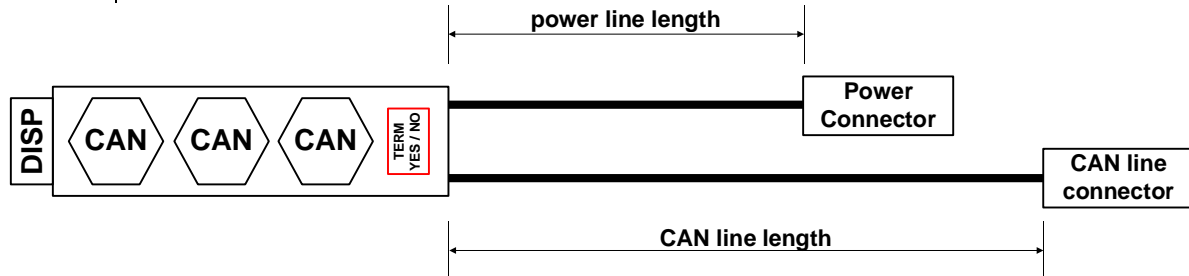


Custom order code

For the first custom order please use the following order code:

WB-CANHUB-xxx

You will receive your custom order code for further orders with your order confirmation



Display connector

- No
- Binder 712 8PF*
- Binder 712 8PM
- Binder 712 5PF
- Binder 712 5PM

CAN Connector

- Binder 712 5PF*
- Binder 712 5PM

CAN Terminator (120Ω)

- Yes*
- No

Power line

- No
- cable length: 300mm*
- cable length: _____mm

Connector

- AMP SuperSeal 2PM*
- open wires
- custom connector

CAN line

- No
- with cable
 - cable length 1500mm*
 - cable length: _____mm
 - Binder 712 8PF
 - Binder 712 8PM
 - Binder 712 5PF
 - Binder 712 5PM*
 - custom connector
- with built-in connector
 - Binder 712 8PF
 - Binder 712 8PM
 - Binder 712 5PF
 - Binder 712 5PM

Remarks:

* configuration of order code -000